



Capacitive Sensors

Capacitive sensors for level detection

Capacitive sensors for level detection use their sensing surface to detect the product, bulk material or liquid (e.g. plastic granulate, sugar, oil, aqueous media) directly or through a container wall. Advantage: Their spherical electrical field effectively compensates for deposits on the sensing surface of the sensor.



Capacitive Sensors for Level Detection

Contents

Standard Sensors

Cylinder designs 771

SmartLevel Sensors

Cylinder designs 782

Disk designs 789

Block designs 790



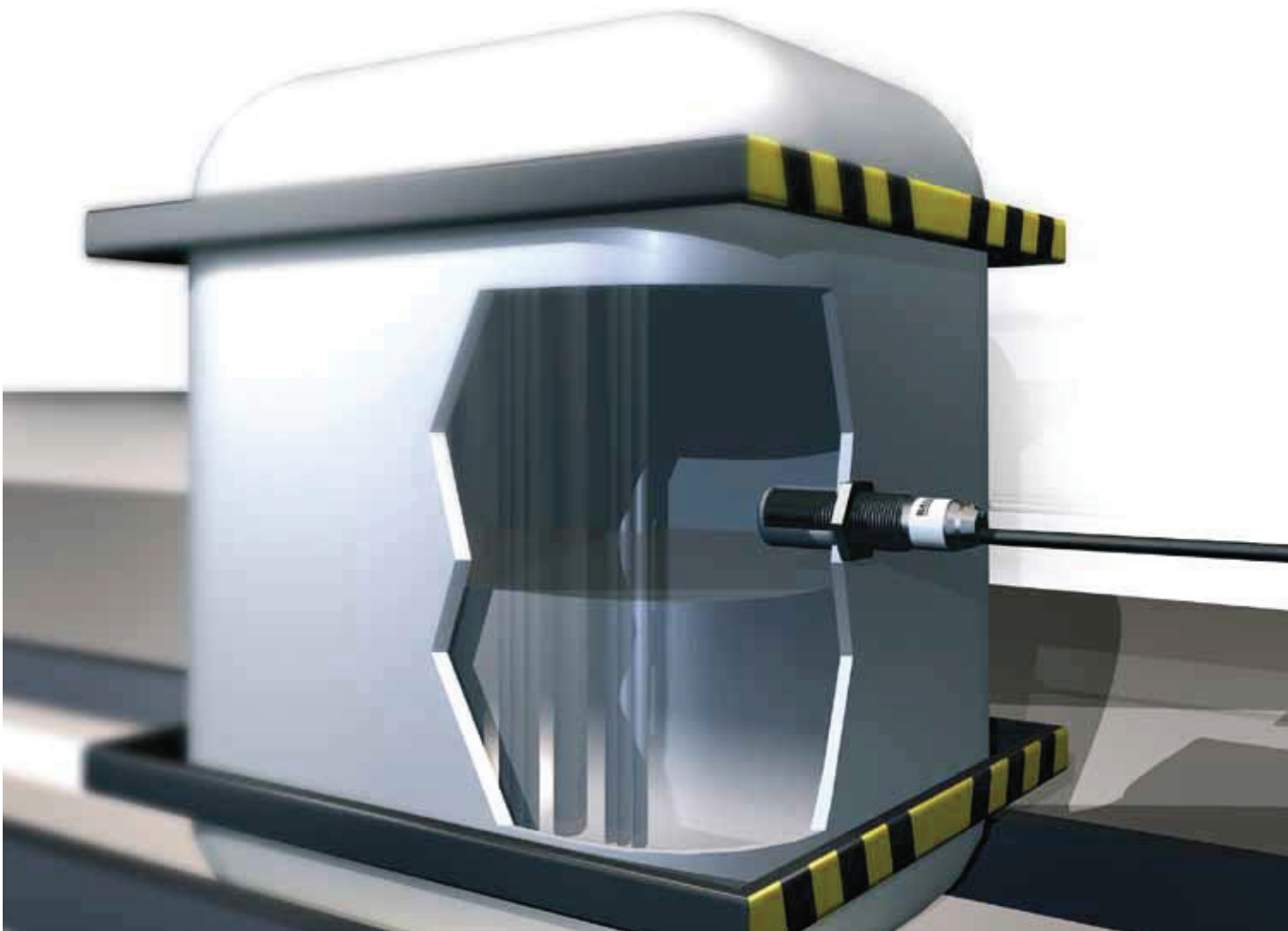
Basic information and definitions can be found on **page 934**.



Capacitive Sensors for Level Detection

Sensors in use

Whether in coolant reservoir tanks or on glass bypass tubes, the capacitive sensor reliably detects the level and thereby helps to prevent damage to the machine from running it dry. The sensor provides safety and reliability in leakage monitoring on hydraulic tanks.



Capacitive Sensors for Level Detection

Standard sensors, cylinder designs, DC 3-wire, M12x1



Global



Global



Capacitive Sensors

Capacitive Sensors for Object Detection

Capacitive Sensors for Level Detection

Standard Sensors
SmartLevel Sensors

Capacitive Sensors with Special Properties

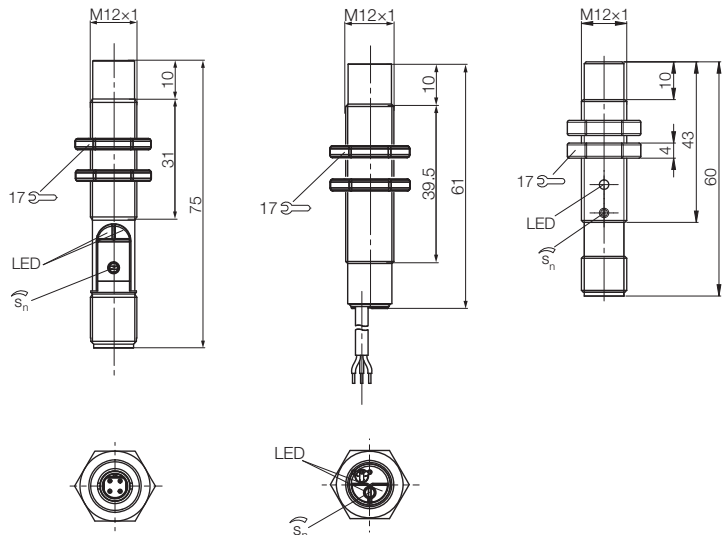
Capacitive Sensors for Analog Distance Measurement

Accessories for Capacitive Sensors

Size	M12x1	M12x1	M12x1
Mounting type	Not flush	Not flush	Not flush
Rated switching distance s_n	1...8 mm	1...8 mm	1...8 mm
PNP, NO	Ordering code Part number	BCS00P4 BCS M12B4E2-PSC80H-S04K	BCS00PC BCS M12B4G1-PSC80H-EP02
PNP, NC	Ordering code Part number	BCS00P5 BCS M12B4E2-POC80H-S04K	BCS00PE BCS M12B4G1-POC80H-EP02
NPN, NO	Ordering code Part number	BCS00P6 BCS M12B4E2-NSC80H-S04K	BCS00PF BCS M12B4G1-NSC80H-EP02
NPN, NC	Ordering code Part number	BCS00P7 BCS M12B4E2-NOC80H-S04K	BCS00PH BCS M12B4G1-NOC80H-EP02
Supply voltage U_s	10...30 V DC	10...30 V DC	12...35 V DC
Voltage drop U_d at I_o	≤ 1.5 V	≤ 1.5 V	≤ 1.5 V
Rated insulation voltage U_i	75 V DC	75 V DC	75 V DC
Output current max.	100 mA	100 mA	200 mA
No-load supply current I_o max.	≤ 15 mA	≤ 15 mA	≤ 10 mA
Polarity reversal protected/transposition protected/short-circuit protected	Yes/Yes/Yes	Yes/Yes/Yes	Yes/Yes/Yes
Ambient temperature T_a	-25...+85 °C	-25...+85 °C	-30...+70 °C
Switching frequency f	100 Hz	100 Hz	100 Hz
Output function indicator	Yellow LED	Yellow LED	Yellow LED
Degree of protection as per IEC 60529	IP 67	IP 67	IP 65
Material	Housing: Stainless steel Sensing surface: PBT Cover: PA 12, PBT	Housing: Stainless steel Sensing surface: PBT Cover: PA 12	Housing: Stainless steel Sensing surface: PTFE Cover: PA
Connection	M12 connector, 4-pin, A-coded	2 m PUR cable, 3x0.14 mm ²	M12 connector, 4-pin, A-coded

Wiring diagrams, see page 971.

Additional cable lengths on request.



Capacitive Sensors for Level Detection

Standard sensors, cylinder designs, DC 3-wire, M12x1



Global

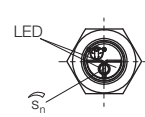
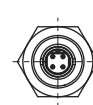
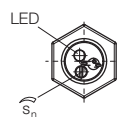
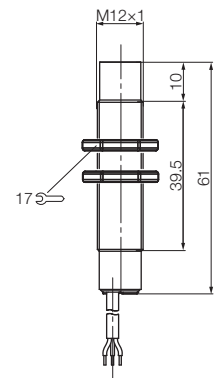
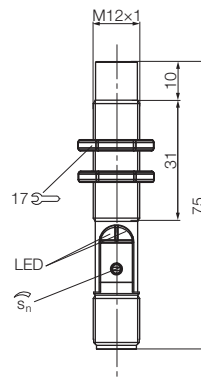
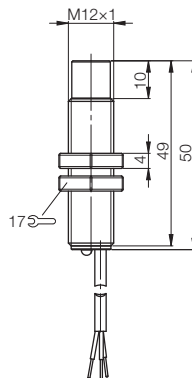


Global

Size		M12x1	M12x1	M12x1
Mounting type		Not flush	Not flush	Not flush
Rated switching distance s_n		1...8 mm	1...8 mm	1...8 mm
PNP, NO	Ordering code	BCS005F	BCS00PN	BCS00R0
	Part number	BCS M12T4G1-PSM80G-EP02	BCS M12BBE2-PSC80H-S04K	BCS M12BBG1-PSC80H-EP02
PNP, NC	Ordering code	BCS005H	BCS00PP	BCS00R1
	Part number	BCS M12T4G1-POM80G-EP02	BCS M12BBE2-POC80H-S04K	BCS M12BBG1-POC80H-EP02
NPN, NO	Ordering code	BCS005J	BCS00PR	BCS00R2
	Part number	BCS M12T4G1-NSM80G-EP02	BCS M12BBE2-NSC80H-S04K	BCS M12BBG1-NSC80H-EP02
NPN, NC	Ordering code	BCS005K	BCS00PT	BCS00R3
	Part number	BCS M12T4G1-NOM80G-EP02	BCS M12BBE2-NOC80H-S04K	BCS M12BBG1-NOC80H-EP02
Supply voltage U_s		12...35 V DC	10...30 V DC	10...30 V DC
Voltage drop U_d at I_o		≤ 0.8 V	≤ 1.5 V	≤ 1.5 V
Rated insulation voltage U_i		75 V DC	75 V DC	75 V DC
Output current max.		200 mA	100 mA	100 mA
No-load supply current I_o max.		≤ 10 mA	≤ 15 mA	≤ 15 mA
Polarity reversal protected/transposition protected/short-circuit protected		Yes/Yes/Yes	Yes/Yes/Yes	Yes/Yes/Yes
Ambient temperature T_a		-30...+70 °C	-25...+85 °C	-25...+85 °C
Switching frequency f		100 Hz	100 Hz	100 Hz
Supply voltage/output function indicator		No/Yellow LED	Green LED/Yellow LED	Green LED/Yellow LED
Degree of protection as per IEC 60529		IP 65	IP 67	IP 67
Material	Housing	Stainless steel	PBT	PBT
	Sensing surface	PTFE	PBT	PBT
	Cover	POM	PA 12, PBT	PA 12
Connection		2 m PUR cable, 3x0.14 mm ²	M12 connector, 4-pin, A-coded	2 m PUR cable, 3x0.14 mm ²

Wiring diagrams, see page 971.

Additional cable lengths on request.



Capacitive Sensors for Level Detection

Standard sensors, cylinder designs, DC 3-wire, Mx12, M18x1



M12x1	M12x1	M18x1	M18x1	M18x1
Not flush	Not flush	Not flush	Not flush	Not flush
1...8 mm	1...6 mm	2..15 mm	2..15 mm	2...15 mm
BCS006Z	BCS009J	BCS00ME	BCS00M7	BCS006A
BCS M12TTG1-PSM80G-ET02	BCS M12TTI1-PSM60G-ET02-E	BCS M18B4G2-PSC15H-S04K	BCS M18B4H1-PSC15H-EP02	BCS M18T4G2-PSC15G-S04G
BCS0070	BCS009K	BCS00ML	BCS00M9	BCS006C
BCS M12TTG1-POM80G-ET02	BCS M12TTI1-POM60G-ET02-E	BCS M18B4G2-POC15H-S04K	BCS M18B4H1-POC15H-EP02	BCS M18T4G2-POC15G-S04G
BCS0071	BCS009L	BCS00MM	BCS00MA	BCS006E
BCS M12TTG1-NSM80G-ET02	BCS M12TTI1-NSM60G-ET02-E	BCS M18B4G2-NSC15H-S04K	BCS M18B4H1-NSC15H-EP02	BCS M18T4G2-NSC15G-S04G
BCS0072	BCS009M	BCS00MN	BCS00MC	BCS006F
BCS M12TTG1-NOM80G-ET02	BCS M12TTI1-NOM60G-ET02-E	BCS M18B4G2-NOC15H-S04K	BCS M18B4H1-NOC15H-EP02	BCS M18T4G2-NOC15G-S04G
12...35 V DC	12...35 V DC	10...30 V DC	10...30 V DC	10...35 V DC
≤ 0.8 V	≤ 0.8 V	≤ 1.5 V	≤ 1.5 V	≤ 1.5 V
75 V DC	75 V DC	75 V DC	75 V DC	75 V DC
200 mA	200 mA	100 mA	100 mA	300 mA
≤ 10 mA	≤ 10 mA	≤ 15 mA	≤ 15 mA	≤ 10 mA
Yes/Yes	Yes/Yes	Yes/Yes	Yes/Yes	Yes/Yes
-30...+70 °C	-30...+60 °C	-25...+85 °C	-25...+85 °C	-30...+70 °C
100 Hz	25 Hz	100 Hz	100 Hz	100 Hz
No/Red LED	No/Red LED	Green LED/Yellow LED	Green LED/Yellow LED	No/Yellow LED
IP 65	IP 65	IP 67	IP 67	IP 67
PTFE	PTFE	Stainless steel	Stainless steel	Stainless steel
PTFE	PTFE	PBT	PBT	PTFE
PTFE	PTFE	PA 12, PBT	PA 12	PA
2 m PTFE cable, 3x0.2 mm ²	2 m PTFE cable, 3x0.2 mm ²	M12 connector, 4-pin, A-coded	2 m PUR cable, 3x0.34 mm ²	M12 connector, 4-pin, A-coded



Capacitive Sensors

Capacitive Sensors for Object Detection

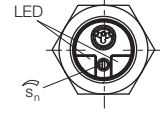
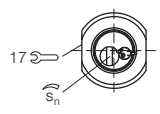
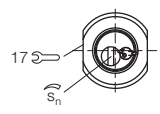
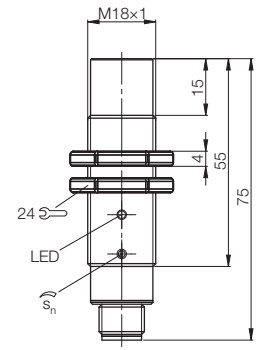
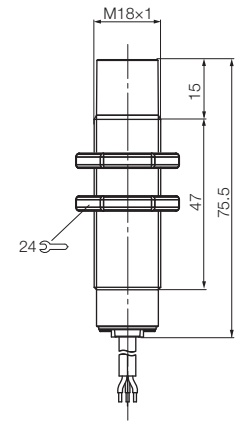
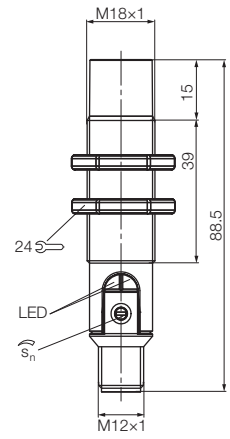
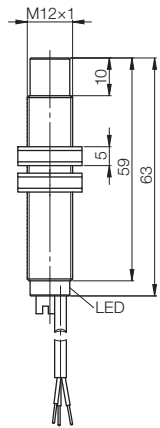
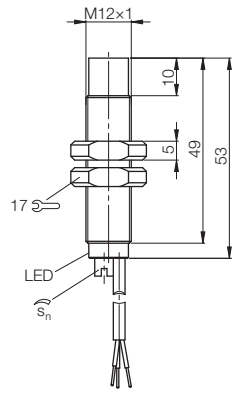
Capacitive Sensors for Level Detection

Standard Sensors

SmartLevel Sensors

Capacitive Sensors for Analog Distance Measurement

Accessories for Capacitive Sensors



Capacitive Sensors for Level Detection

Standard sensors, cylinder designs, DC 3-wire, M18x1



Global

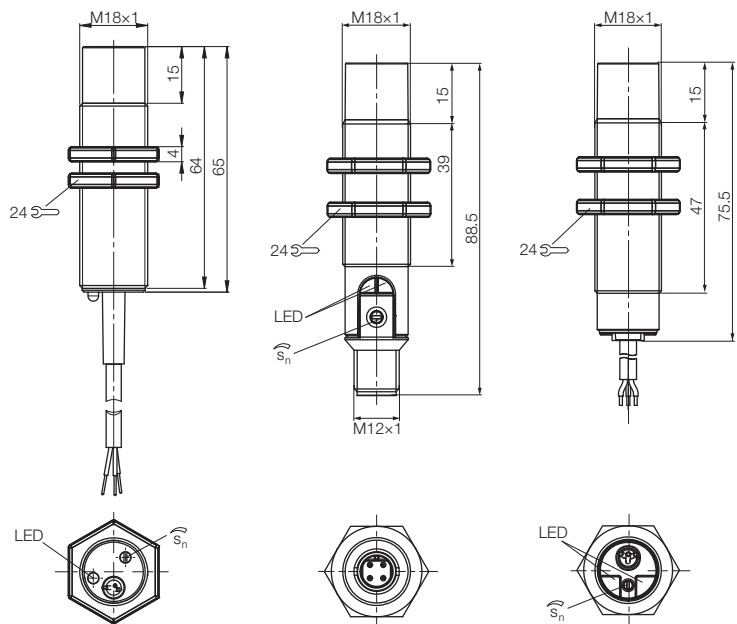


Global

Size		M18x1	M18x1	M18x1
Mounting type		Not flush	Not flush	Not flush
Rated switching distance s_n		2...15 mm	2..15 mm	2..15 mm
PNP, NO	Ordering code	BCS005R	BCS00LM	BCS00LL
	Part number	BCS M18T4I1-PSC15G-DV02	BCS M18BBG2-PSC15H-S04K	BCS M18BBH1-PSC15H-EP02
PNP, NC	Ordering code	BCS005T	BCS00LT	BCS00LY
	Part number	BCS M18T4I1-POC15G-DV02	BCS M18BBG2-POC15H-S04K	BCS M18BBH1-POC15H-EP02
PNP, NO/NC, can be coded	Ordering code			
NPN, NO	Ordering code	BCS005U	BCS00LU	BCS00LZ
	Part number	BCS M18T4I1-NSC15G-DV02	BCS M18BBG2-NSC15H-S04K	BCS M18BBH1-NSC15H-EP02
NPN, NC	Ordering code	BCS005W	BCS00LW	BCS00M0
	Part number	BCS M18T4I1-NOC15G-DV02	BCS M18BBG2-NOC15H-S04K	BCS M18BBH1-NOC15H-EP02
NPN, NO/NC, can be coded	Ordering code			
Part number				
Supply voltage U_s		10...35 V DC	10...30 V DC	10...30 V DC
Voltage drop U_d at I_o		≤ 1.5 V	≤ 1.5 V	≤ 1.5 V
Rated insulation voltage U_i		75 V DC	75 V DC	75 V DC
Output current max.		300 mA	100 mA	100 mA
No-load supply current I_o max.		≤ 10 mA	≤ 15 mA	≤ 15 mA
Polarity reversal protected/transposition protected/short-circuit protected		Yes/Yes/Yes	Yes/Yes/Yes	Yes/Yes/Yes
Ambient temperature T_a		-30...+70 °C	-25...+85 °C	-25...+85 °C
Switching frequency f		100 Hz	100 Hz	100 Hz
Supply voltage/output function indicator		No/Yellow LED	Green LED/Yellow LED	Green LED/Yellow LED
Degree of protection as per IEC 60529		IP 67	IP 67	IP 67
Material	Housing	Stainless steel	PBT	PBT
	Sensing surface	PTFE	PBT	PBT
	Cover	POM	PA 12, PBT	PA 12
Connection		2 m PVC cable, 3x0.25 mm ²	M12 connector, 4-pin, A-coded	2 m PUR cable 3x0.34 mm ²

Wiring diagrams, see page 971.

Additional cable lengths on request.



Capacitive Sensors for Level Detection

Standard sensors, cylinder designs, DC 3-wire, M18x1, M30x1.5



M18x1	M30x1.5	M30x1.5	M30x1.5	M30x1.5
Not flush 2...15 mm	Not flush 1...25 mm	Not flush 1...25 mm	Not flush 1...30 mm	Not flush 2...30 mm
BCS0073	BCS000MY	BCS000N6		
BCS M18TTI2-PSC15G-AT02	BCS M30B4E2-PSC25H-S04K	BCS M30B4E1-PSC25H-EP02		
BCS0074	BCS000MZ	BCS000N7		
BCS M18TTI2-POC15G-AT02	BCS M30B4E2-POC25H-S04K	BCS M30B4E1-POC25H-EP02		
			BCS007L	BCS007J
			BCS M30T4M2-PPC30G-S04G	BCS M30T4M3-PPC30G-EP02
BCS0075	BCS000N0	BCS000N8		
BCS M18TTI2-NSC15G-AT02	BCS M30B4E2-NSC25H-S04K	BCS M30B4E1-NSC25H-EP02		
BCS0076	BCS000N1	BCS000N9		
BCS M18TTI2-NOC15G-AT02	BCS M30B4E2-NOC25H-S04K	BCS M30B4E1-NOC25H-EP02		
			BCS007M	BCS007K
			BCS M30T4M2-NPC30G-S04G	BCS M30T4M3-NPC30G-EP02
10...35 V DC	10...30 V DC	10...30 V DC	10...35 V DC	10...35 V DC
≤ 1.5 V	≤ 1.5 V	≤ 1.5 V	≤ 1.8 V	≤ 1.8 V
75 V DC	75 V DC	75 V DC	75 V DC	75 V DC
300 mA	100 mA	100 mA	300 mA	300 mA
≤ 10 mA	≤ 15 mA	≤ 15 mA	≤ 15 mA	≤ 15 mA
Yes/Yes/Yes	Yes/Yes/Yes	Yes/Yes/Yes	Yes/Yes/Yes	Yes/Yes/Yes
-30...+70 °C	-25...+85 °C	-25...+85 °C	-30...+70 °C	-30...+70 °C
100 Hz	100 Hz	100 Hz	100 Hz	100 Hz
No/Red LED	Green LED/Yellow LED	Green LED/Yellow LED	Green LED/Yellow LED	Green LED/Yellow LED
IP 67	IP 67	IP 67	IP 64	IP 64
PTFE	Stainless steel	Stainless steel	Stainless steel	Stainless steel
PTFE	PBT	PBT	PTFE	PTFE
PTFE	PA 12, PBT	PA 12, PBT	PBT, PE	PBT, PE
2 m PTFE cable, 3×0.2 mm ²	M12 connector, 4-pin, A-coded	2 m PUR cable, 3×0.34 mm ²	M12 connector, 4-pin, A-coded	2 m PUR cable 3×0.34 mm ²



Capacitive Sensors

Capacitive Sensors for Object Detection

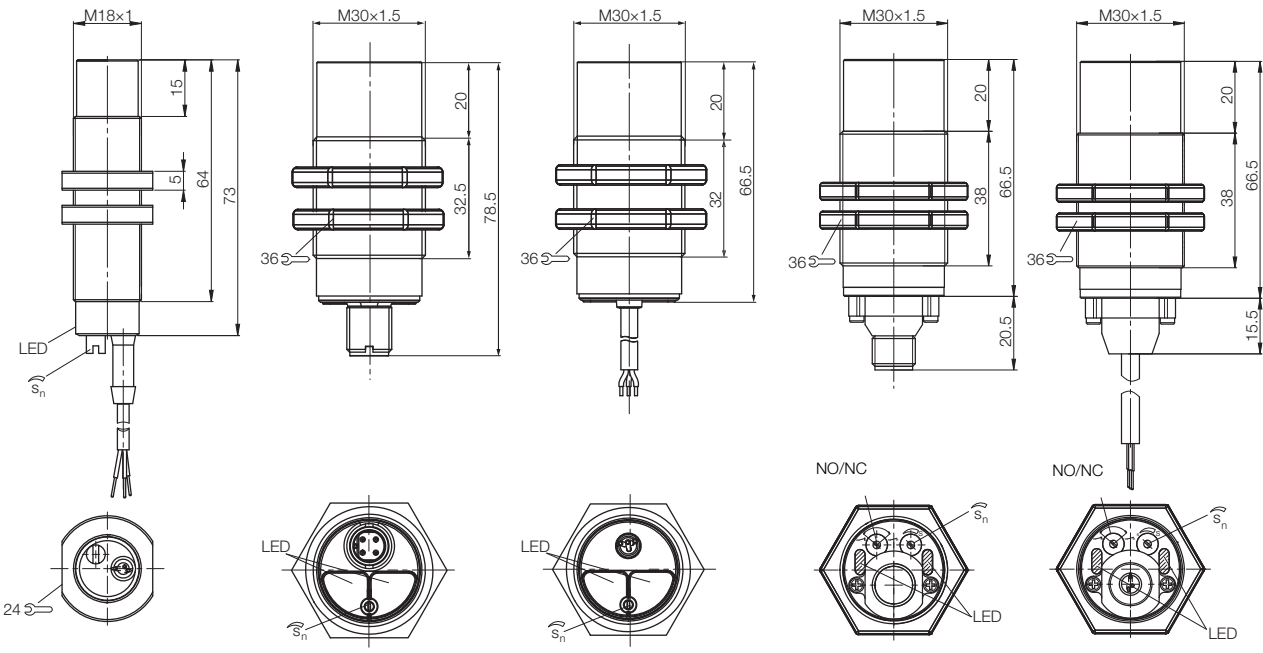
Capacitive Sensors for Level Detection

Standard Sensors
SmartLevel Sensors

Capacitive Sensors with Special Properties

Capacitive Sensors for Analog Distance Measurement

Accessories for Capacitive Sensors



Capacitive Sensors for Level Detection

Standard sensors, cylinder designs, DC 3-wire, M30×1.5



Global



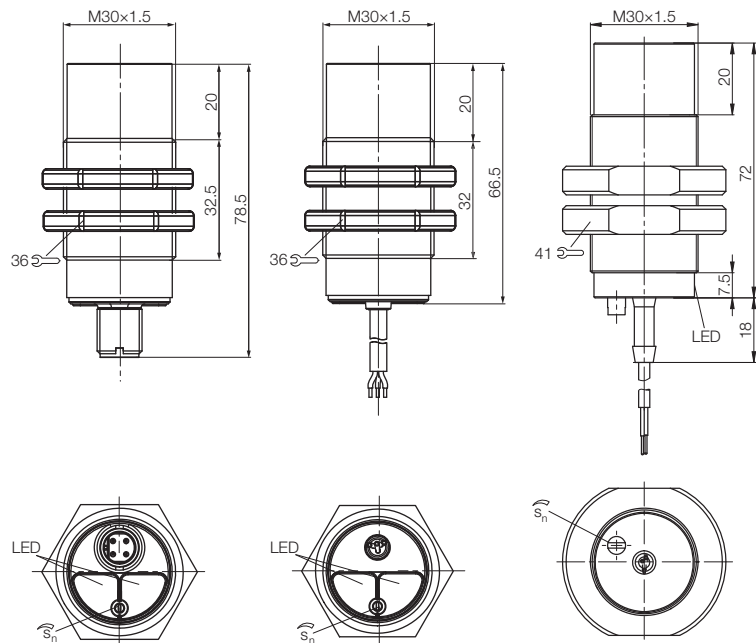
Global



Size		M30×1.5	M30×1.5	M30×1.5
Mounting type		Not flush	Not flush	Not flush
Rated switching distance s_n		1...25 mm	1...25 mm	2...30 mm
PNP, NO	Ordering code	BCS00NH	BCS00NT	BCS0077
	Part number	BCS M30BBE2-PSC25H-S04K	BCS M30BBE1-PSC25H-EP02	BCS M30TTH2-PSC30G-AT02
PNP, NC	Ordering code	BCS00NJ	BCS00NU	BCS0078
	Part number	BCS M30BBE2-POC25H-S04K	BCS M30BBE1-POC25H-EP02	BCS M30TTH2-POC30G-AT02
NPN, NO	Ordering code	BCS00NK	BCS00NW	BCS0079
	Part number	BCS M30BBE2-NSC25H-S04K	BCS M30BBE1-NSC25H-EP02	BCS M30TTH2-NSC30G-AT02
NPN, NC	Ordering code	BCS00NL	BCS00NY	BCS007A
	Part number	BCS M30BBE2-NOC25H-S04K	BCS M30BBE1-NOC25H-EP02	BCS M30TTH2-NOC30G-AT02
Supply voltage U_s		10...30 V DC	10...30 V DC	10...35 V DC
Voltage drop U_d at I_o		≤ 1.5 V	≤ 1.5 V	≤ 1.8 V
Rated insulation voltage U_i		75 V DC	75 V DC	75 V DC
Output current max.		100 mA	100 mA	300 mA
No-load supply current I_o max.		≤ 15 mA	≤ 15 mA	≤ 10 mA
Polarity reversal protected/transposition protected/short-circuit protected		Yes/Yes/Yes	Yes/Yes/Yes	Yes/Yes/Yes
Ambient temperature T_a		-25...+85 °C	-25...+85 °C	-30...+70 °C
Switching frequency f		100 Hz	100 Hz	100 Hz
Supply voltage/output function indicator		Green LED/Yellow LED	Green LED/Yellow LED	No/Red LED
Degree of protection as per IEC 60529		IP 67	IP 67	IP 67
Material	Housing	PBT	PBT	PTFE
	Sensing surface	PBT	PBT	PTFE
	Cover	PA 12, PBT	PA 12, PBT	PTFE
Connection		M12 connector, 4-pin, A-coded	2 m PUR cable, 3×0.34 mm ²	2 m PTFE cable, 3×0.2 mm ²

Wiring diagrams, see page 971.

Additional cable lengths on request.





Capacitive Sensors for Level Detection

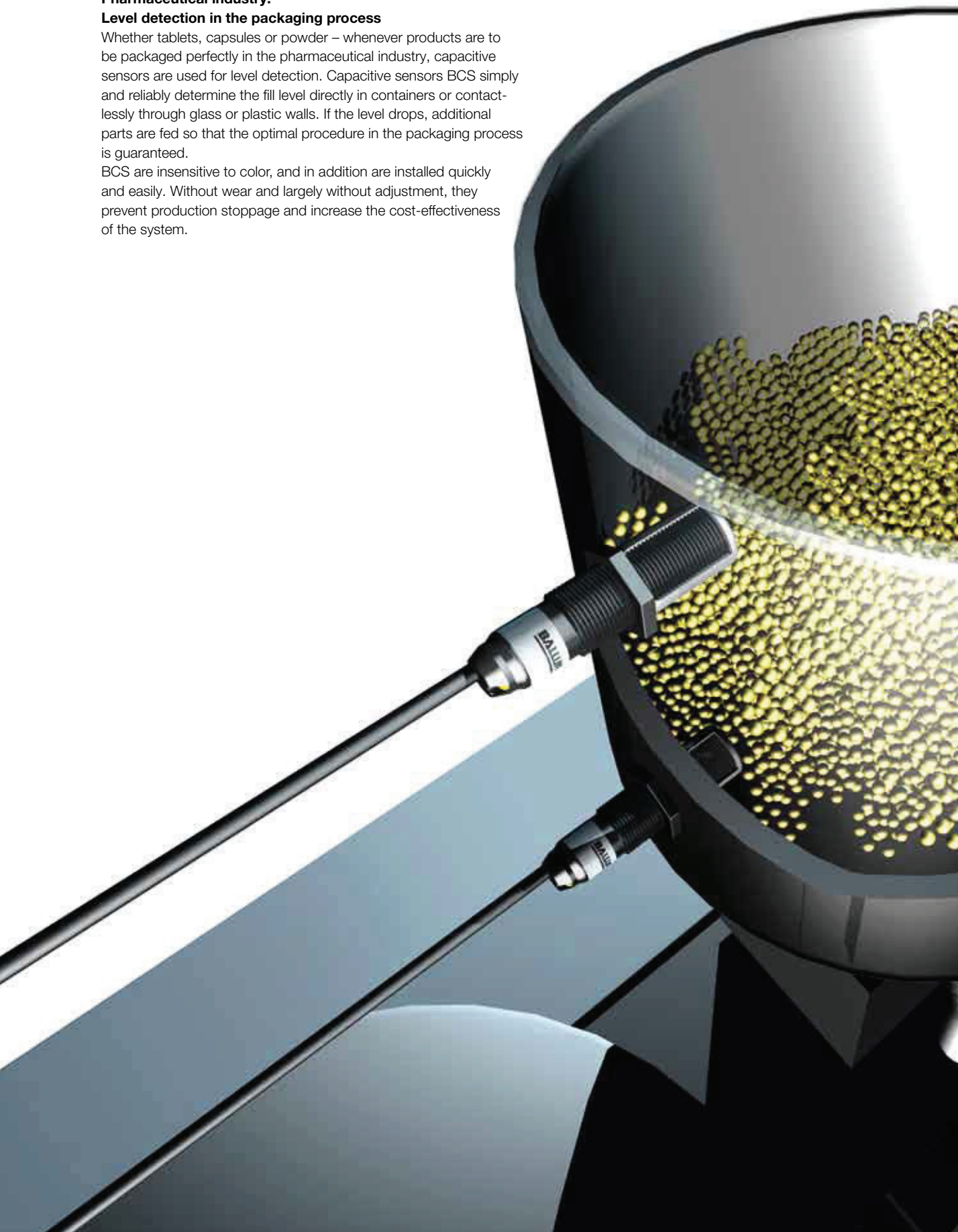
Sensors in use

Pharmaceutical industry:

Level detection in the packaging process

Whether tablets, capsules or powder – whenever products are to be packaged perfectly in the pharmaceutical industry, capacitive sensors are used for level detection. Capacitive sensors BCS simply and reliably determine the fill level directly in containers or contactlessly through glass or plastic walls. If the level drops, additional parts are fed so that the optimal procedure in the packaging process is guaranteed.

BCS are insensitive to color, and in addition are installed quickly and easily. Without wear and largely without adjustment, they prevent production stoppage and increase the cost-effectiveness of the system.



Capacitive Sensors

Capacitive Sensors for Object Detection

Capacitive Sensors for Level Detection

Standard Sensors
SmartLevel Sensors

Capacitive Sensors with Special Properties

Capacitive Sensors for Analog Distance Measurement

Accessories for Capacitive Sensors

Capacitive Sensors for Level Detection

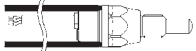
Standard sensors, cylinder designs, DC 3-wire, M12x1, G1/4", NPT1/4" MicroLevel



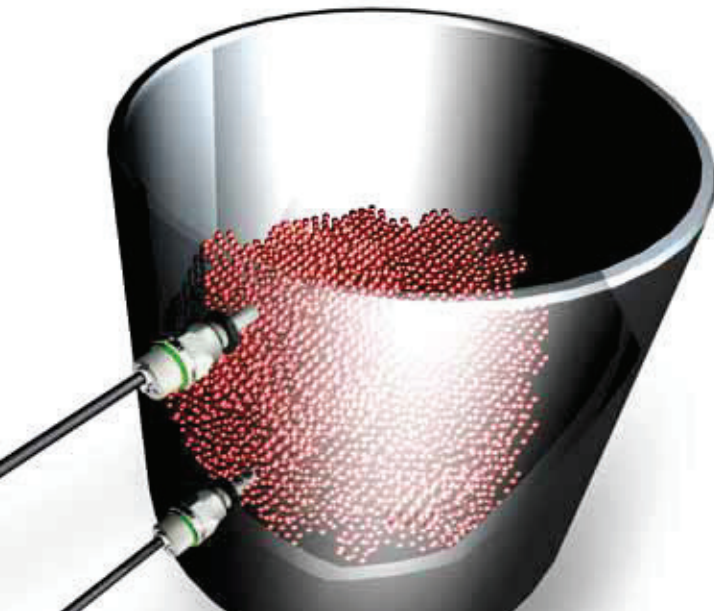
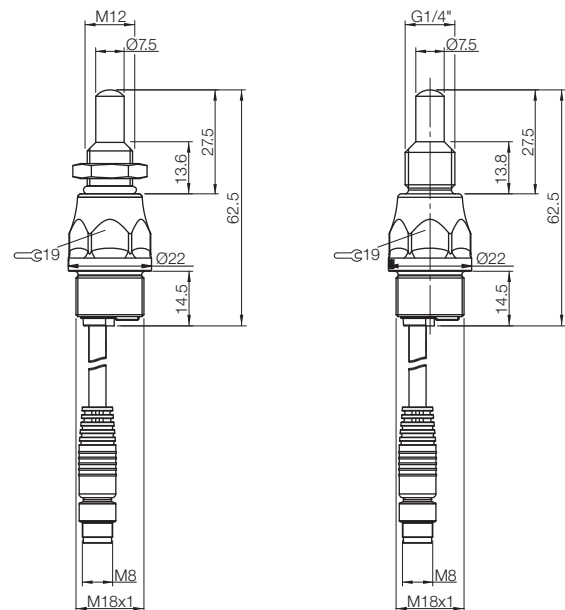
Size	M12x1 MicroLevel	G1/4" MicroLevel	
Mounting type	Not flush	Not flush	
Rated switching distance s_n	Level adjustable	Level adjustable	
PNP/NPN and NO/NC user selectable	Ordering code		
PNP, NO	Part number		
PNP, NC	Ordering code	BCS00ZL	BCS00ZR
NPN, NO	Part number	BCS S44KK01-PSCFNG-EP00,3-GS49	BCS S44KK02-PSCFNG-EP00,3-GS49
NPN, NC	Ordering code	BCS00ZM	BCS00ZT
	Part number	BCS S44KK01-POCFNG-EP00,3-GS49	BCS S44KK02-POCFNG-EP00,3-GS49
	Ordering code	BCS00ZN	BCS00ZU
	Part number	BCS S44KK01-NSCFNG-EP00,3-GS49	BCS S44KK02-NSCFNG-EP00,3-GS49
	Ordering code	BCS00ZP	BCS00ZW
	Part number	BCS S44KK01-NOCFNG-EP00,3-GS49	BCS S44KK02-NOCFNG-EP00,3-GS49
Supply voltage U_s	10...30 V DC	10...30 V DC	
Voltage drop U_d at I_o	≤ 2 V	≤ 2 V	
Rated insulation voltage U_i	75 V DC	75 V DC	
Output current max.	50 mA	50 mA	
No-load supply current I_o max.	≤ 11 mA	≤ 11 mA	
Polarity reversal protected/transposition protected/short-circuit protected	Yes/Yes/Yes	Yes/Yes/Yes	
Ambient temperature T_a	-5...+105 °C (sensing surface)	-5...+105 °C (sensing surface)	
Switching frequency f	10 Hz	10 Hz	
Supply voltage/output function indicator	Green LED/Yellow LED	Green LED/Yellow LED	
Degree of protection as per IEC 60529	IP 67 (sensing surface: IP 68)	IP 67 (sensing surface: IP 68)	
Material	Housing	PEEK	
	Sensing surface	PEEK	
	Cover	PA 12	
Connection	0.3 m PUR cable with M8 connector, 3-pin	0.3 m PUR cable with M8 connector, 3-pin	

Wiring diagrams, see page 971.

Additional cable lengths on request.



Reverse mounting in a tube of any desired length for fashioning "point-switching" rod sensors. The sealing can be done with an O-ring or with a flat seal.



Capacitive Sensors for Level Detection

Standard sensors, cylinder designs, DC 3-wire, M12x1, G1/4", NPT1/4" MicroLevel



NPT1/4" MicroLevel	M12x1 MicroLevel	G1/4" MicroLevel	NPT1/4" MicroLevel
Not flush	Not flush	Not flush	Not flush
Level adjustable	Level adjustable	Level adjustable	Level adjustable
	BCS0102	BCS0103	BCS0104
	BCS S44KK01-GPCFNG-EP02	BCS S44KK02-GPCFNG-EP02	BCS S44KK03-GPCFNG-EP02
BCS00ZY			
BCS S44KK03-PSCFNGEP00,3-GS49			
BCS00ZZ			
BCS S44KK03-POCFNG-EP00,3-GS49			
BCS0100			
BCS S44KK03-NSCFNG-EP00,3-GS49			
BCS0101			
BCS S44KK03-NOCFNG-EP00,3-GS49			
10...30 V DC	10...30 V DC	10...30 V DC	10...30 V DC
≤ 2 V	≤ 2 V	≤ 2 V	≤ 2 V
75 V DC	75 V DC	75 V DC	75 V DC
50 mA	50 mA	50 mA	50 mA
≤ 11 mA	≤ 11 mA	≤ 11 mA	≤ 11 mA
Yes/Yes/Yes	No/No/Yes	No/No/Yes	No/No/Yes
-5...+105 °C (sensing surface)	-5...+105 °C (sensing surface)	-5...+105 °C (sensing surface)	-5...+105 °C (sensing surface)
10 Hz	10 Hz	10 Hz	10 Hz
Green LED/Yellow LED	Green LED/Yellow LED	Green LED/Yellow LED	Green LED/Yellow LED
IP 67 (sensing surface: IP 68)	IP 67 (sensing surface: IP 68)	IP 67 (sensing surface: IP 68)	IP 67 (sensing surface: IP 68)
PEEK	PEEK	PEEK	PEEK
PEEK	PEEK	PEEK	PEEK
PA 12	PA 12	PA 12	PA 12
0.3 m PUR cable with M8 connector, 3-pin	2 m PUR cable, 3x0.34 mm ²	2 m PUR cable, 3x0.34 mm ²	2 m PUR cable, 3x0.34 mm ²



Capacitive Sensors

Capacitive Sensors for Object Detection

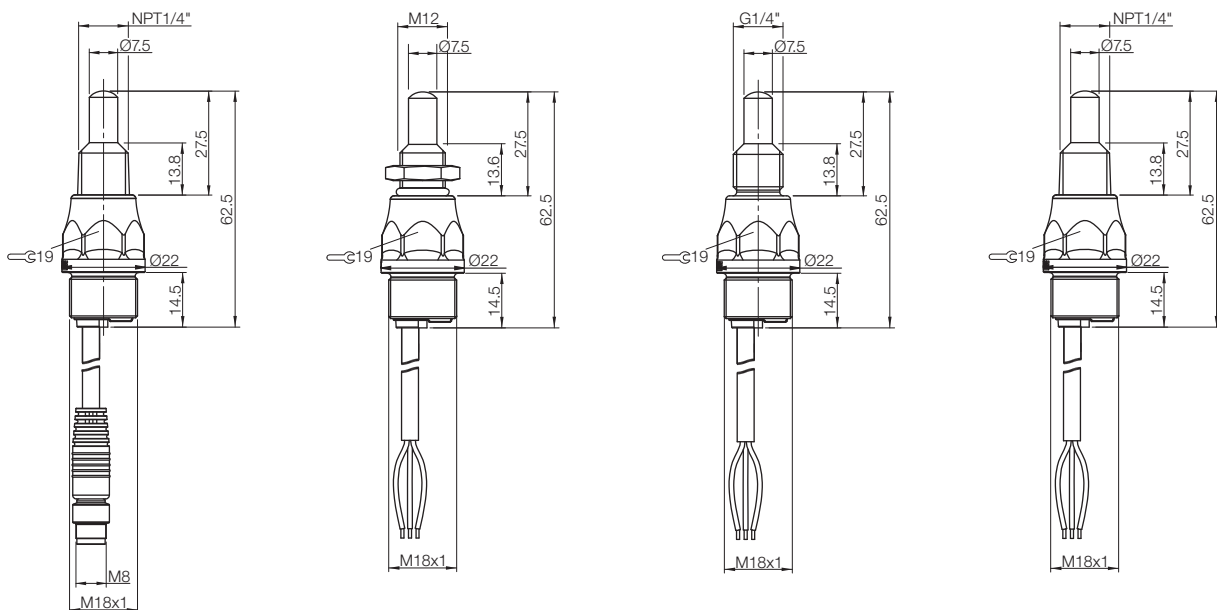
Capacitive Sensors for Level Detection

Standard Sensors
SmartLevel Sensors

Capacitive Sensors with Special Properties

Capacitive Sensors for Analog Distance Measurement

Accessories for Capacitive Sensors



Capacitive Sensors for Level Detection

Standard sensors, cylinder designs, DC 3-wire, M18×1, R 3/8", NPTF 3/8"

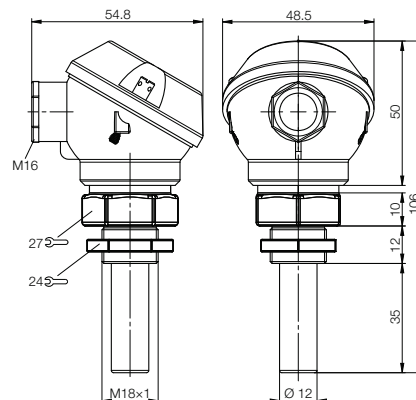


Pressure rated to 10 bar

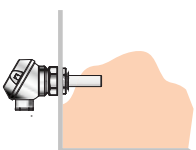
Size	M18×1	
Mounting type	Not flush	
Rated switching distance s_n	Level adjustable	
PNP, NO	Ordering code	BCS006H
	Part number	BCS S01T401-PSCFNG-KM16-T02
PNP, NC	Ordering code	BCS006J
	Part number	BCS S01T401-POCFNG-KM16-T02
NPN, NO	Ordering code	BCS006K
	Part number	BCS S01T401-NSCFNG-KM16-T02
NPN, NC	Ordering code	BCS006L
	Part number	BCS S01T401-NOCFNG-KM16-T02
Supply voltage U_s	10...35 V DC	
Voltage drop U_d at I_o	≤ 2.7 V	
Rated insulation voltage U_i	75 V DC	
Output current max.	100 mA	
No-load supply current I_o max.	≤ 10 mA	
Polarity reversal protected/transposition protected/short-circuit protected	Yes/Yes/Yes	
Ambient temperature T_a	-30...+125 °C	
Switching frequency f	5 Hz	
Supply voltage/output function indicator	No/Yellow LED	
Degree of protection as per IEC 60529	IP 67 (sensing surface: IP 68 at a max. of 10 bar)	
Material	Housing	Cast aluminum
	Sensing surface	PTFE
	Cover	Cast aluminum
Connection	Screw terminals	

Wiring diagrams, see page 971.

Additional cable lengths on request.



Gasket not included in the scope of delivery



Adjustment: The adjustment is carried out with a potentiometer. The objective is to set a middle value between the turn-on and turn-off point when the sensor is damped. In individual cases when temperature swings are great and very sticky media are used a slight readjustment may be necessary. Otherwise, our adjustment instructions for non-flush mount sensor versions apply.

Capacitive Sensors for Level Detection

Standard sensors, cylinder designs, DC 3-wire, M18x1, R3/8", NPTF3/8"

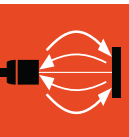


Pressure rated to 10 bar



Pressure rated to 10 bar

R^{3/8}"	NPTF^{3/8}"
Not flush	Not flush
Level adjustable	Level adjustable
BCS006M	BCS00A6
BCS S02T401-PSCFNG-KM16-T02	BCS S03T401-PSCFNH-KM16-T02
BCS006N	BCS00A7
BCS S02T401-POCFNG-KM16-T02	BCS S03T401-POCFNH-KM16-T02
BCS006P	BCS00A8
BCS S02T401-NSCFNG-KM16-T02	BCS S03T401-NSCFNH-KM16-T02
BCS006R	BCS00A9
BCS S02T401-NOCFNG-KM16-T02	BCS S03T401-NOCFNH-KM16-T02
10...35 V DC	10...35 V DC
≤ 2.7 V	≤ 2.7 V
75 V DC	75 V DC
100 mA	100 mA
≤ 10 mA	≤ 10 mA
Yes/Yes/Yes	Yes/Yes/Yes
-30...+125 °C	-30...+125 °C
5 Hz	5 Hz
No/Yellow LED	No/Yellow LED
IP 67 (sensing surface: IP 68 at a max. of 10 bar)	IP 67 (sensing surface: IP 68 at a max. of 10 bar)
Cast aluminum	Cast aluminum
PTFE	PTFE
Cast aluminum	Cast aluminum
Screw terminals	Screw terminals



Capacitive Sensors

Capacitive Sensors for Object Detection

Capacitive Sensors for Level Detection

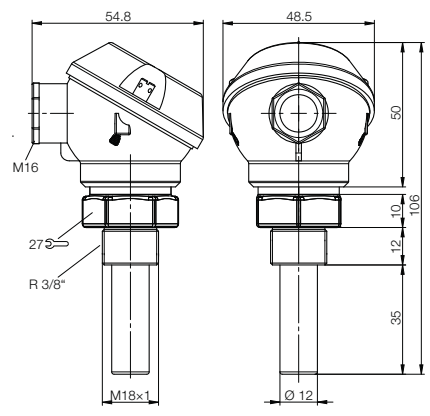
Standard Sensors

SmartLevel Sensors

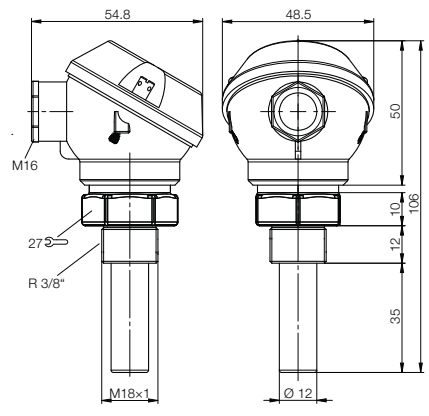
Capacitive Sensors with Special Properties

Capacitive Sensors for Analog Distance Measurement

Accessories for Capacitive Sensors



Gasket not included in the scope of delivery



Gasket not included in the scope of delivery